

FIRE - FIGHTING VALVE WITH STORZ COUPLING ANGLE TYPE BRONZE

**FACE TO FACE
DIN 86211**

DN	50 - 65
PN	16 bar

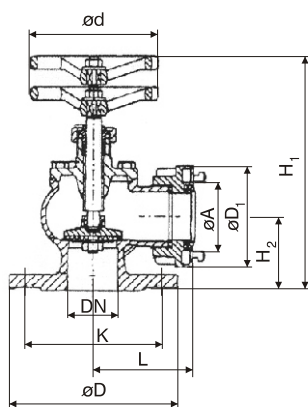


Application: As a closing valve at the fire pipe systems.

Materials:

parts	acc to DIN
Body	G-CuSn5ZnPb
Bonnet	G-CuSn5ZnPb
Mandrel	CuZn35Ni
Disk	CuZn35Ni
Ring	GG 25
Gasket	NBR
Bonnet gasket	non asbestos
Adaptor	CuZn39Pb3

Size (mm):



n=number of holes

DN	øD	K	L	H ₁	H ₂	øD	n x d ₁	motion	kg
50	165	125	96	225	75	140	4 x 18	16	5.8
65	185	145	117	255	90	160	4 x 18	20	10.5

Adaptors

DN		øA	øD ₁
50	C - 52	66	96
65	B - 75	89	124