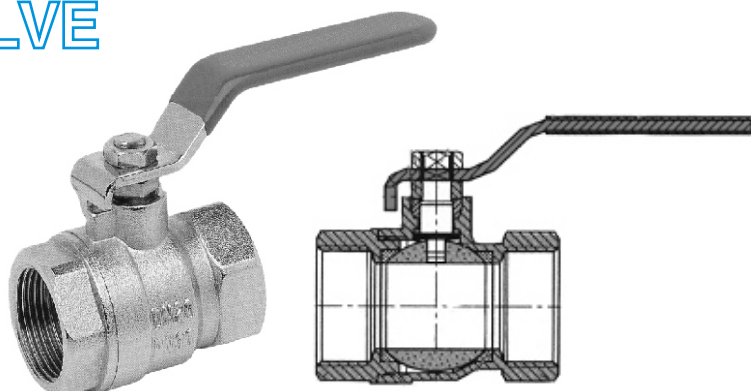


# BRONZE BALL VALVE

**SCREWED ENDS  
FACE TO FACE ACC TO  
DIN 3202 - F 1**

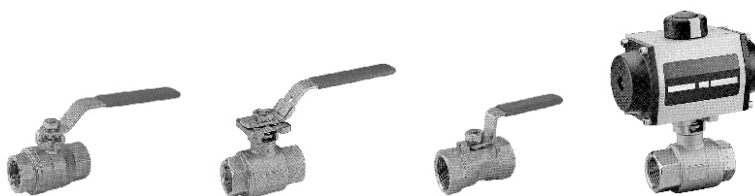


|              |            |               |        |        |
|--------------|------------|---------------|--------|--------|
| <b>DN</b>    | 1/4", 1/2" | 3/8" - 2 1/2" | 3"     | 4"     |
| <b>PN</b>    | 30 bar     | 25 bar        | 20 bar | 16 bar |
| <b>T max</b> | 100°C      | 100°C         | 100°C  | 100°C  |

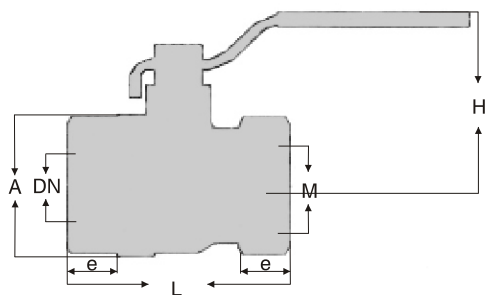
**Application:** For industrial pipe systems transporting water, steam, air or non aggressive fluids.

| <b>Materials:</b> | parts   | acc. DIN              |
|-------------------|---------|-----------------------|
|                   | Body    | Bronze                |
|                   | Ball    | Bronze                |
|                   | Handle  | Chromium plated steel |
|                   | Sealing | PTFE                  |

**Execution:**



**Size (mm):**



| M      | DN  | PN | L   | H   | A   | e   |
|--------|-----|----|-----|-----|-----|-----|
| 1/4"   | 10  | 30 | 40  | 39  | 22  | 17  |
| 1/2"   | 10  | 30 | 40  | 39  | 22  | 20  |
| 3/8"   | 15  | 25 | 48  | 43  | 31  | 25  |
| 3/4"   | 20  | 25 | 56  | 52  | 37  | 31  |
| 1"     | 25  | 25 | 67  | 57  | 45  | 38  |
| 1 1/4" | 32  | 25 | 80  | 72  | 56  | 48  |
| 1 1/2" | 40  | 25 | 92  | 79  | 68  | 54  |
| 2"     | 50  | 25 | 107 | 88  | 84  | 67  |
| 2 1/2" | 65  | 25 | 132 | 125 | 108 | 84  |
| 3"     | 80  | 20 | 152 | 135 | 129 | 97  |
| 4"     | 100 | 16 | 172 | 149 | 163 | 122 |