

# SELF CLOSING VALVE WITH SPRING ANGLE NODULAR IRON

**FACE TO FACE ACC  
DIN 3202 / 2 - F 32**

|              |                   |
|--------------|-------------------|
| <b>DN</b>    | <b>15 - 65</b>    |
| <b>PN</b>    | <b>10, 16 bar</b> |
| <b>T max</b> | <b>140°C</b>      |

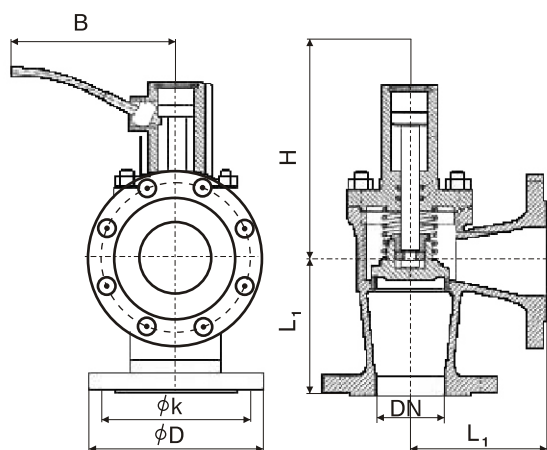


**Application:** For different kinds of liquids, mainly oil, diesel oil and water.

**Materials:**

| parts           | acc to DIN      | Ws. №  |
|-----------------|-----------------|--------|
| Body and bonnet | GGG 40          | 0.7040 |
| Disc            | Stainless Steel | 1.4301 |
| Seat Ring       | Stainless Steel | 1.4301 |

**Size (mm):**



| DN | L <sub>1</sub> | B   | H <sub>1</sub> | D   | k   | kg   |
|----|----------------|-----|----------------|-----|-----|------|
| 15 | 90             | 125 | 100            | 95  | 65  | 4    |
| 20 | 95             | 125 | 100            | 105 | 75  | 5    |
| 25 | 100            | 125 | 105            | 115 | 85  | 5.5  |
| 32 | 105            | 125 | 105            | 140 | 100 | 6.5  |
| 40 | 115            | 125 | 125            | 150 | 110 | 8.5  |
| 50 | 125            | 125 | 130            | 165 | 125 | 9    |
| 65 | 145            | 125 | 142            | 185 | 145 | 10.5 |