

SELF CLOSING VALVE WITH COUNTERWEIGHT DUCTILE IRON STRAIGHT TYPE

FACE TO FACE ACC
DIN 3356 / 2 - F 1
DIN 3202 - F 1

DN	15 - 100
PN	10, 16 bar
T max	140°C



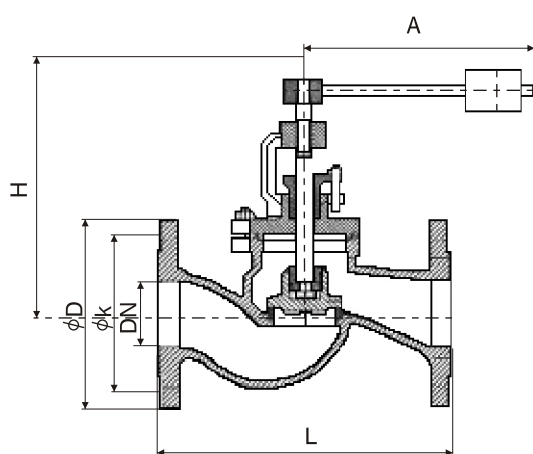
Application:

In fuel pipes. Generally used in marine industry as quickly operated safety valves with counter weighted lever. The valve closes clockwise standart.

Materials:

parts	acc to DIN	Ws. №
Body and bonnet	GGG 40.3	0.7043
Packing	Graphite	
Weight	GG 25	0.6025

Size (mm):



DN	L	A	H	D	k	n	φ n	kg
15	130	180	225	95	65	4	14	4.5
20	150	180	225	105	75	4	14	5.5
25	160	180	232	115	85	4	14	6
32	180	230	236	140	100	4	18	8
40	200	230	272	150	110	4	18	14
50	230	230	280	165	125	4	18	15.5
65	290	250	307	185	145	8	18	20
80	310	300	344	200	160	8	18	26
100	350	450	381	220	180	8	18	37