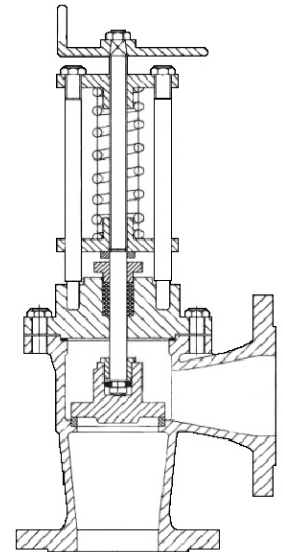


OVERBOARD (DISCHARGE) VALVE ANGLE

**FACE TO FACE ACC
DIN 3202 - F 32**

DN	15 - 300
PN	10, 16 bar
T max	120°C



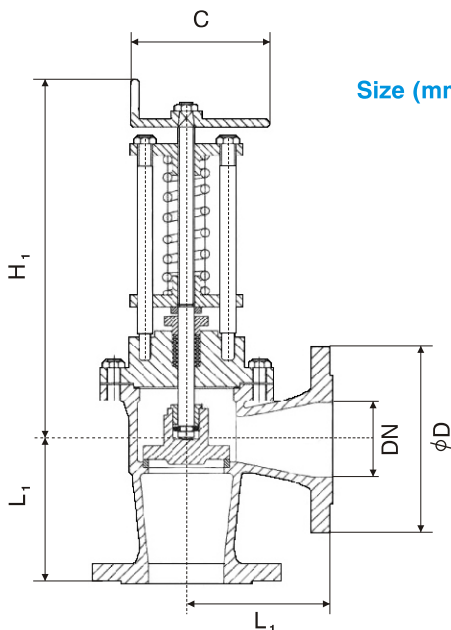
Application:

As for regulating fluid direction in marine systems.

Materials:

parts	acc to DIN	Ws. №
Body and bonnet	GGG 40.3	0.7043
Disc	Steel / BRONZE	2.1096.01
Seat	Brass / BRONZE	2.1096.01
Spindle	X20Cr13	1.4021
Gasket	Graphite	
Handwheel	GG 25	0.6025

Size (mm):



DN	L ₁	H ₁	spindle	C	D	kg
15	90	310	8	120	95	65
20	95	325	8	120	105	75
25	100	320	12	140	115	85
32	105	323	15	140	140	100
40	115	335	20	160	150	110
50	125	340	20	160	165	125
65	145	450	27	180	185	145
80	155	465	31	200	200	160
100	175	480	35	225	220	180
125	200	515	49	250	250	210
150	225	685	53	300	285	240
200	275	745	72	400	340	295
250	325	775	80	520	405	355
300	275	790	100	520	460	410