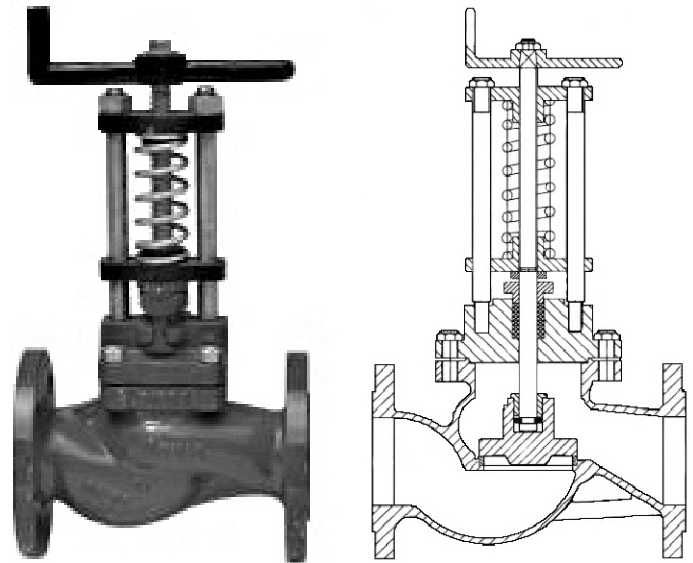


OVERBOARD (DISCHARGE) VALVE STRAIGHT

FACE TO FACE ACC
DIN 3356 / 2 - F 1
DIN 3202 - F 1

DN	15 - 300
PN	10, 16 bar
T max	120°C



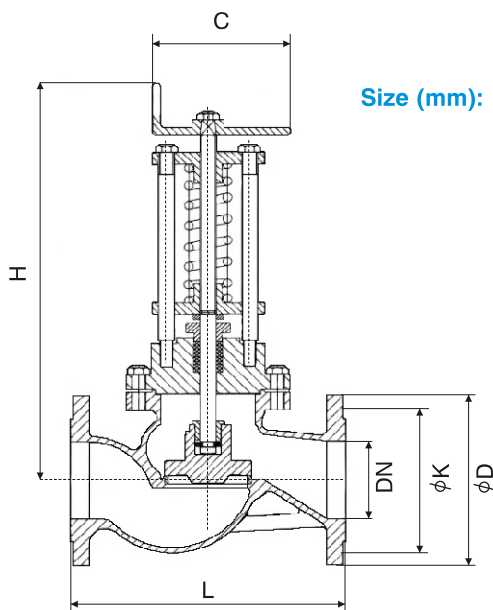
Application:

As for regulating fluid direction in marine systems.

Materials:

parts	acc to DIN	Ws. №
Body and bonnet	GGG 40.3	0.7043
Disc	Steel / BRONZE	2.1096.01
Seat	Brass / BRONZE	2.1096.01
Spindle	X20Cr13	1.4021
Gasket	Graphite	
Hanwheel	GG 25	0.6025

Size (mm):



DN	L	H	spindle	C	D	K	kg
15	130	340	8	120	95	65	6.75
20	150	345	8	120	105	75	7
25	160	350	12	140	115	85	8
32	180	355	15	140	140	100	10
40	200	365	20	160	150	110	14
50	230	375	20	160	165	125	16
65	290	480	27	180	185	145	20
80	310	500	31	200	200	160	32
100	350	525	35	225	220	180	41
125	400	620	49	250	250	210	60
150	480	760	53	300	285	240	90
200	600	810	72	400	340	295	145
250	730	860	80	520	405	355	245
300	850	880	100	520	460	410	380