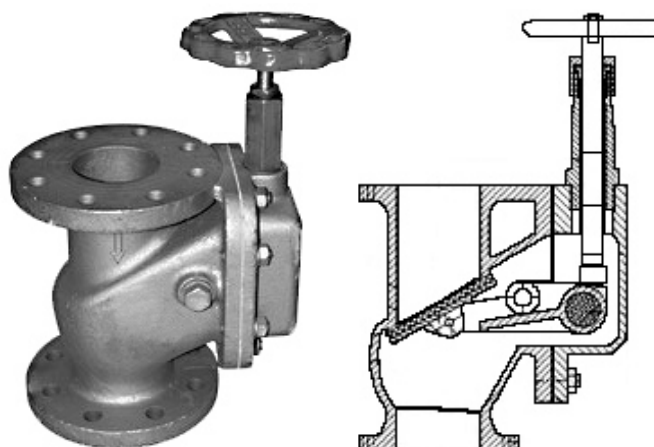


STORM VALVE

**FACE TO FACE ACC TO
DIN 3202 / 2 - F 6**

DN	50 - 150
PN	10, 16 bar
T max	120°C



Application:

For discharging overboard bilge and sawage waters.

Materials:

parts	acc to DIN	Ws. №
Body and bonnet	GGG 40	0.7040
Disc	BRONZE	2.1096.01
Gasket	EPDM	

Size (mm):

DN	D	K	h	L	kg
50	80	200	160	165	15
65	100	220	180	185	21
80	125	250	210	200	27
100	150	285	240	220	37
125	175	315	270	250	50
150	200	340	295	285	71

