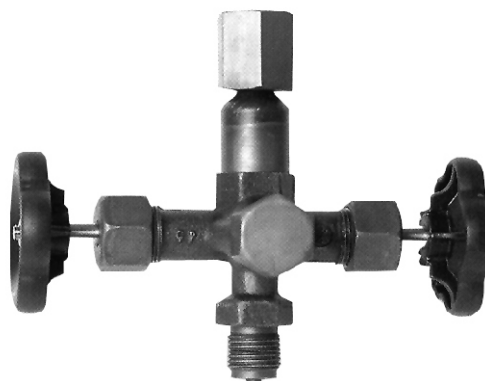


THREE WAY MANOMETRIC VALVE

DIN 16272 Form A

DN	4
PN	400, 250 bar
T max	200°C



Application:

For interrupting of flux of working fluid, steam or gas between the measuring device and pipe system.

Materials:

parts	acc to DIN	Ws. №
Body	C22.8	1.0460
	X6CrNiMoTi17 12 2	1.4571
	CuZn35Ni	2.0540
Mandrel	X12CrMoS17	1.4101
	X6CrNiMoTi17 12 2	1.4571

Note:

The article is brass, made acc. to PN 250.

Size (mm):

d ₁	d ₂	d ₃	l ₁	l ₂	t
G 1/2	G 1/2	7	20	17	7
M 20x1.5	M 20x1.5				

