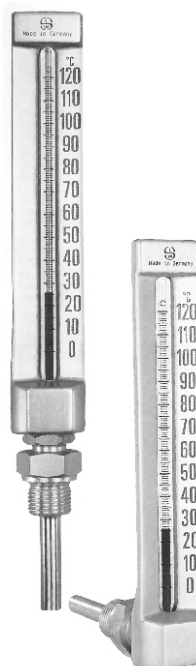


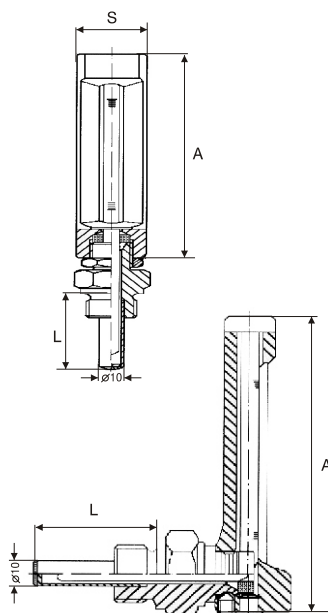
THERMOMETER VIBRATION - RESISTING



Application: To measure the temperature of different fluids and gases..

Materials:	parts	acc to DIN
	Body	aluminium polyamid
	Parts in contact with the fluids (plunged part and fitting)	brass steel CrNi - steel

Note: The thermometer is offer:
straight type
angle type



Size (mm):	A	110	150	200
	S	30	36	
	L	40	63	100 160 200

Range (°C):	A 110	-30+50	0+60	0+100		
		0+120	0+160	0+200		
	A 150	-30+50	0+60	0+100	0+120	0+160
		0+200	0+300	0+400	0+500	0+600
	A 200	-30+50	0+60	0+100	0+120	0+160
		0+200	0+300	0+400	0+500	0+600

Ends: 1/2", M20 x 1,5
3/4", M27 x 2