

STEEL CONCENTRIC REDUCER

ACC TO BDS 5785 - 83

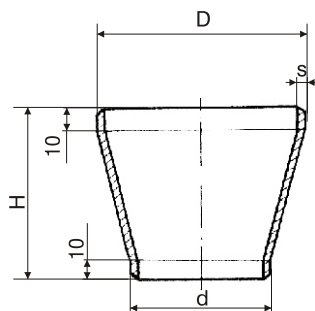
DN	45 - 219
PN	25 bar
T max	440°C



Application: As a bond between pipes in the pipe systems.

Materials:	parts	acc to DIN	Ws. №
	Body	St. 37	1.0065

Size (mm):



D	d	k	H	weight kg
45	38	3.5	60	0.195
	32			0.180
57	45	3.5	60	0.244
	38			0.226
	32			0.211
76	57	4	70	0.429
	45			0.387
89	76	4	80	0.615
	57			0.541
108	89	5	90	1.025
	76			0.959
133	133	5	115	1.627
	108			1.493
159	133	6	145	2.984
	108			2.717
219	159	7	155	5.380
	133			4.491