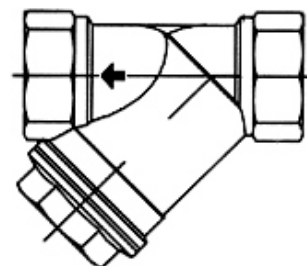


BRONZE STRAINER

SCREWED ENDS

DN	3/8" - 2"
PN	16 bar
T max	200° C



Application:

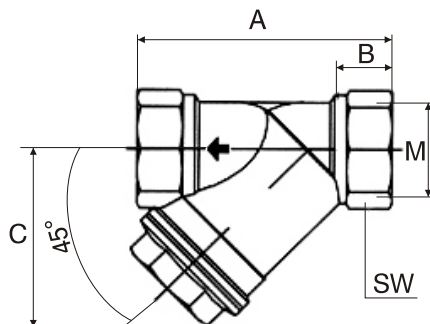
Mounted on a industrial pipe systems for cleaning the transporting fluid water, steam, non aggressive fluids an gases from mechanical parts.

Materials:

parts	acc to DIN	Ws. №
Body and bonnet	G-CuSn5ZnPb	2.1096.01
Section strainer	X5CrNi18 10	1.4301

The valve is offered with BSPP ends.

Size (mm):



DN	A	B	C	SW	kg
3/8"	55	10	40	21	0.130
1/2"	58	12	40	25	0.150
3/4"	70	13	50	31	0.240
1"	87	17	60	38	0.395
1 1/4"	96	20	68	48	0.700
1 1/2"	106	21	75	55	0.860
2"	126	22	90	68	1.330