

FIRE - FIGHTING VALVE WITH STORZ COUPLING ANGLE TYPE BRONZE

**FACE TO FACE
DIN 86211**

| | |
|-----------|----------------|
| DN | 50 - 65 |
| PN | 16 bar |



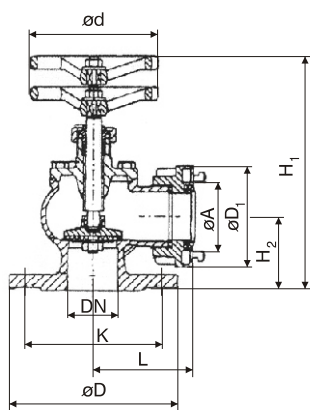
Application: As a closing valve at the fire pipe systems.

Materials:

| parts | acc to DIN |
|---------------|--------------|
| Body | G-CuSn5ZnPb |
| Bonnet | G-CuSn5ZnPb |
| Mandrel | CuZn35Ni |
| Disk | CuZn35Ni |
| Ring | GG 25 |
| Gasket | NBR |
| Bonnet gasket | non asbestos |
| Adaptor | CuZn39Pb3 |

Size (mm):

| DN | øD | K | L | H ₁ | H ₂ | ød | n x d ₁ | motion | kg |
|----|-----|-----|-----|----------------|----------------|-----|--------------------|--------|------|
| 50 | 165 | 125 | 96 | 225 | 75 | 140 | 4 x 18 | 16 | 5.8 |
| 65 | 185 | 145 | 117 | 255 | 90 | 160 | 4 x 18 | 20 | 10.5 |



n=number of holes

Adaptors

| DN | | øA | øD ₁ |
|----|--------|----|-----------------|
| 50 | C - 52 | 66 | 96 |
| 65 | B - 75 | 89 | 124 |