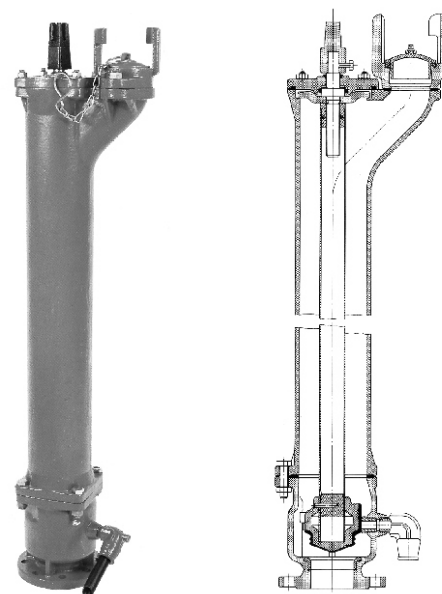


CAST IRON UNDERGROUND HYDRANT

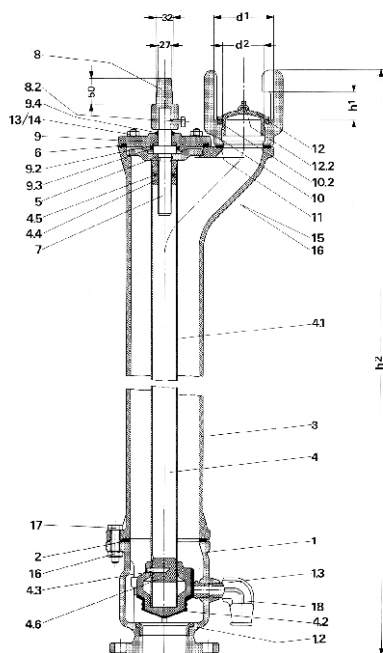
DN	70 / 80
PN	16 bar
T max	60°C



Application: As a closing valve in fire pipe systems.

Set: valve
base
gasket

Materials:



parts	acc to DIN
1 Base	GG 25
1.2 Sealing ring	Ms 58, red brass
1.3 Draining globe	Ms 58, red brass
2 Rubber gasket	EPDM
3 Body	GG 25
4 Control system:	
4.1 Shaft	St. 37
4.2 Body	GG 25
4.3 Pin	CuZn38Pb2
4.4 Nut	Ms 58, red brass
4.5 Pin	CuZn38Pb2
4.6 Breach block	ruber
5 Ring	GG 25
6 O - ring sealing	EPDM
7 Mandrel	CuZn38Pb2
8 Adapter	GG 25
8.2 Bolt	8.8
9 Flange	GG 25
9.2 Disc	POM
9.3 O - sealing	EPDM
10 Cap	GG 25
10.2 Hermetic sealing	Ms 58, red brass
11 Gasket	EPDM
12 Ring	Steel 3
12.2 Disc	CuZn38Pb2
13 Bolt M 12 x 35	Steel 45
14 Nut M 12	Steel 45
15 Bolt M 16 x 35	Steel 45
16 Nut M 16	Steel 45
17 Bolt M 16 x 45	Steel 45
18 ISO fitting	POM