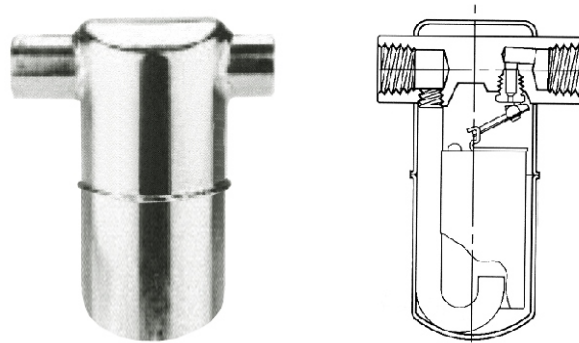


STAINLESS STEEL INVERTED BUCKET STEAM TRAPS

DN	10 - 25	3/8"-1"
PN	28 bar	
T max	427°C	



Application:

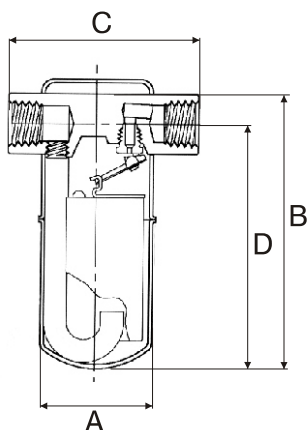
To separate the condensate from steam in the condensate systems - leave out only condensate.

Materials:

parts	acc to DIN	Ws. №
Body	G-X2CrNi18 9	1.4306
Pipe	X5CrNi18 10	1.4301
Float	stainless steel	
Flap plug	stainless steel	
Flap seat	stainless steel	

The valve are fore horizontal mounting.
The ends are screwed . BSPT and NPT.
Flanges are screwed acc. to DIN PN 40.

Size (mm):



Tun	DN	A	B	C	D	kg
1810	10	68.3	135	110	113	0.79
	15					
	3/8"					
	1/2"					
1811	15	68.3	160	110	138	0.91
	20		167		141	1.10
	1/2"		160		138	0.91
	3/4"		167		141	1.10
1812	20	102	229	97	206	3.1
	25					
	3/4"					
	1"					