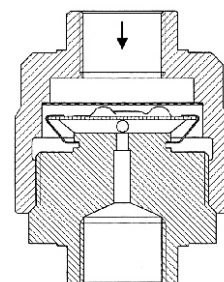


STAINLESS STEEL THERMOSTATIC STEAM TRAPS

BUILD IN STRAINER

DN	1/4" - 1"
PN	40 bar
T max	400°C



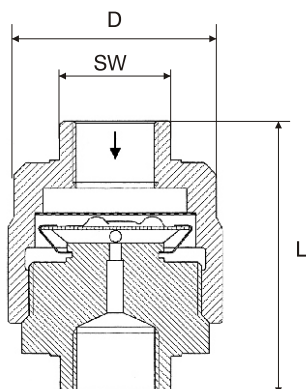
Application:

To release the condensate from steam. The valve automatically adapts to variable pressure of the steam and depending of the type, of the capsule allow undercooling of the condensate from 5° to 40° C.

Materials:

parts	acc to DIN	Ws. №
Body	X8CrNiS18-9	1.4305
Membrane	hasteloy	
Capsule	stainless steel	
Strainer	stainless steel	

Size (mm):



DN	L	D	SW	kg
1/4"	68	53.5	27	0.65
3/8"	68	53.5	27	0.65
1/2"	68	53.5	27	0.65
3/4"	78	53.5	41	0.85
1"	78	53.5	41	0.85