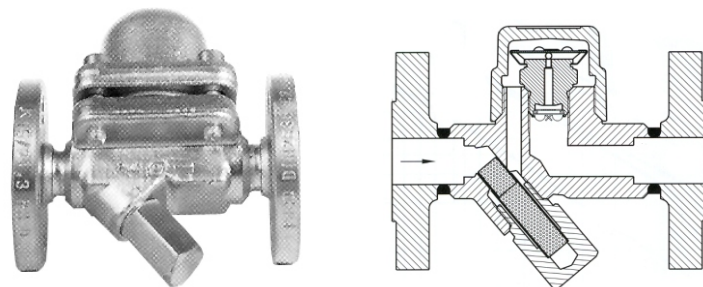


# STAINLESS STEEL THERMOSTATIC STEAM TRAPS

## WITH STRAINER

DN	15 - 25
PN	40 bar
T max	400°C



### Application:

To release the condensate from steam. They valve automatically adapt to variable pressure of the steam and depending of the type, of the capsule allow undercooling of the condensate from 5° to 40° C.

### Materials:

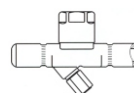
parts	acc to DIN	Ws. №
Body and bonnet	C 22.8	1.0460
Membrane	hasteloy	
Capsule	stainless steel	
Strainer	stainless steel	
Sealing	non asbestos	



screwed ends

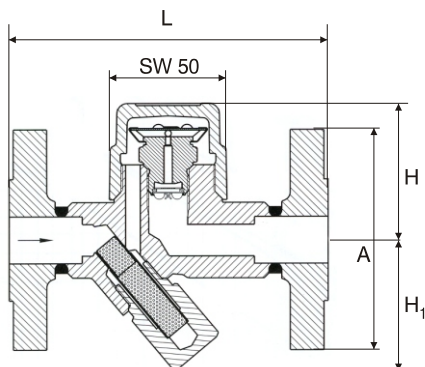


welding ends



welding ends

### Size (mm):



DN	A	L	H	H <sub>1</sub>	kg
15	95	150	65	62	2.7
20	105	150	65	62	3.3
25	115	160	65	62	3.7