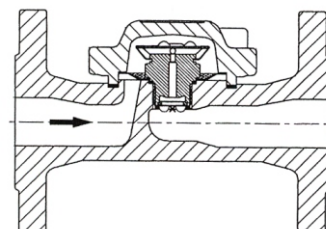
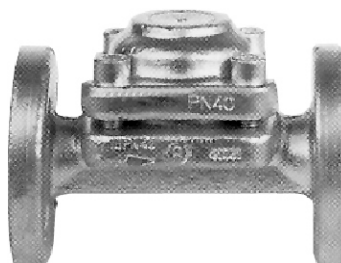


CAST IRON THERMOSTATIC STEAM TRAPS

DN	25
PN	16 bar
T max	300°C



Application:

To release the condensate from steam. The valve automatically works with changing pressure of the steam and depending on the type, of capsule cool the condensate from 5° to 40° C.

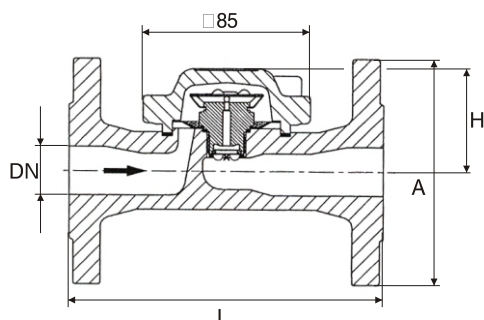
Materials:

parts	acc to DIN	Ws. №
Body and bonnet	GG 25	0.6025
Membrane	hasteloy	
Capsule	stainless steel	
Seal	non asbestos	



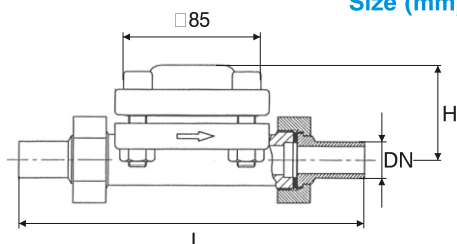
screwed ends

Size (mm):



DN	A	L	H	kg
25	115	160	55	4.5

Size (mm):



DN	L	H	kg
15	190	55	2.3
20	190	55	2.1