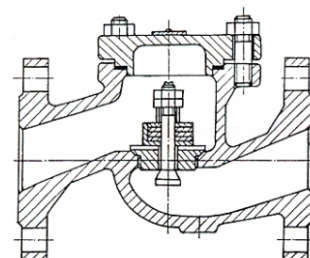
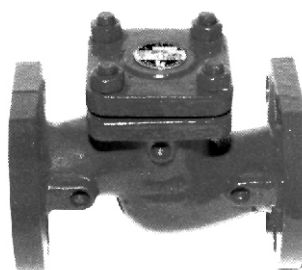


STEEL BIMETALLIC STEAM TRAPS

DN	15 - 65
PN	40 bar
T max	400°C



Application:

To release the condense from steam. They have double action - regulating by bimetallic steel parts.

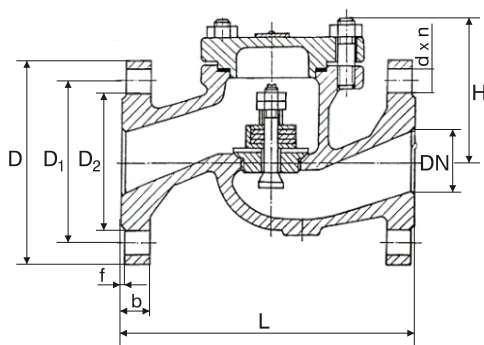
Materials:

parts	acc to DIN	Ws. №
Body and bonnet	C 22.8	1.0460
Bimetallic pack	12X18H10T	1.4541
Nozzle	X20Cr13	1.4021
	12X18H10T	1.4541

Working condition:

Temperature: -5° up to +50° C
 Flanged ends.
 Horizontal mounting.
 With the condense hole down $K_v \text{ max}$: as (1.6, 2.5, 4 and 6.3) 10 t/h
 Release of steam not more theh 0.05% by $K_v \text{ max}$

Size (mm):



n = number of holes

DN	D	D ₁	D ₂	f	b	L	H	d	n
15	95	65	45	2	16	130	90	14	4
20	105	75	58	2	16	150	90	14	4
25	115	85	68	2	18	160	90	14	4
32	140	100	78	2	18	180	90	18	4
40	150	110	88	3	18	200	115	18	4
50	165	125	102	3	20	230	115	18	4
65	185	145	122	3	22	290	150	18	8