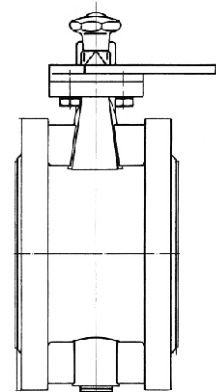
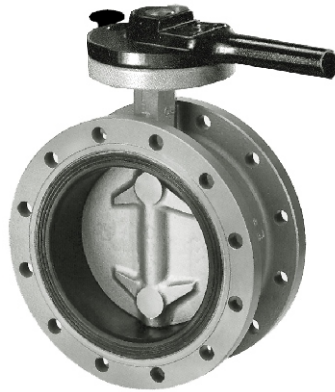


BUTTERFLY VALVE

**FACE TO FACE ACC TO
DIN 3202 - F 1
FLANGED ENDS**

DN	50 - 300
PN	10, 16 bar
T max	130°C



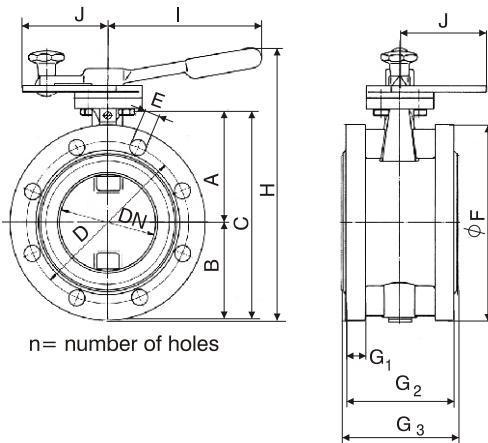
Application:

As a closing valve industrial pipe systems transporting water, mineral oils, non aggressive and slight aggressive fluids.

Materials:

parts	acc to DIN	Ws. №
Body	GG 25	0.6025
Mandrel	X20Ch13	1.4021
Disc	AISI - 316	1.4408
		1.4571
Seat	GG 25 nickel plated EPDM NBR	

Size (mm):



DN	PN	A	B	C	D	E	n	F	G ₁	G ₂	G ₃	H	I	J
50	10 16	126	79	211	125	18	4	165	15	102	108	273	165	69
65	10 16	135	88	228	145	18	4	185	15	106	112	290	165	69
80	10 16	157	99	261	160	18	8	200	17	108	114	323	200	114
100	10 16	168	110	283	180	18	8	229	17	121	127	345	200	114
125	10 16	180	122	308	210	18	8	254	19	134	140	370	200	114
150	10 16	203	145	354	240	22	8	280	19	134	140	435	315	114
200	10 16	229	171	405	295	22	8 12	343	21	146	152	486	315	114
250	10 16	266	206	479	350 355	22 26	12	406	22	159	165	567	350	134
300	10 16	293	231	531	400 410	22 26	12	483	28	170	178	619	350	134