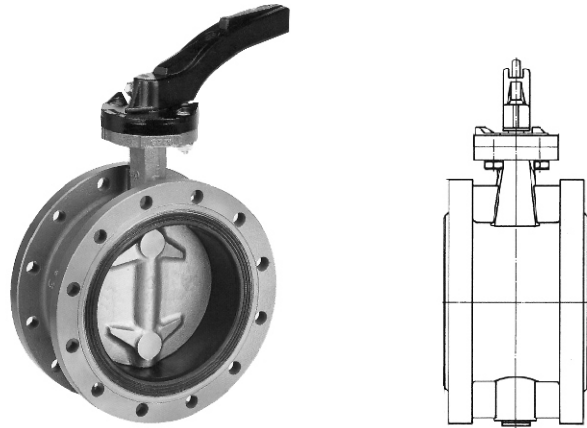


# BUTTERFLY VALVE

**FACE TO FACE ACC TO  
DIN 3202 - F 1  
FLANGED ENDS**

<b>DN</b>	<b>50 - 200</b>
<b>PN</b>	<b>10, 16 bar</b>
<b>T max</b>	<b>130°C</b>



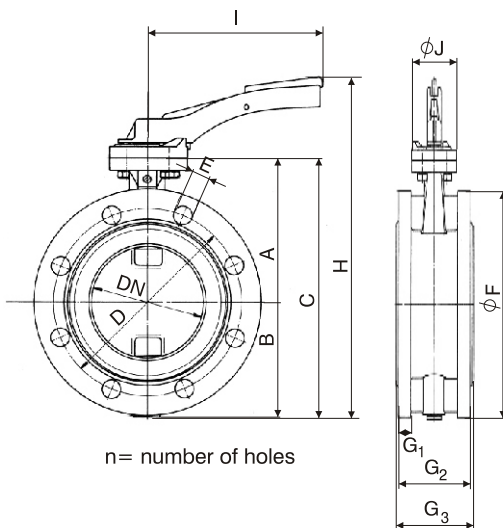
**Application:**

As a closing valve industrial pipe systems transporting water, mineral oils, non aggressive and slight aggressive fluids.

**Materials:**

parts	acc to DIN	Ws. №
Body	GG 25	0.6025
Mandrel	X20Ch13	1.4021
Disc	AISI - 316	1.4408
		1.4571
Seat	GG 25 nickel plated EPDM NBR	

**Size (mm):**



DN	PN	A	B	C	D	E	n	F	G <sub>1</sub>	G <sub>2</sub>	G <sub>3</sub>	H	I	J
50	10 16	126	79	211	125	18	4	165	15	102	108	288	165	65
65	10 16	135	88	228	145	18	4	185	15	106	112	305	165	65
80	10 16	157	99	261	160	18	8	200	17	108	114	356	195	90
100	10 16	168	110	283	180	18	8	229	17	121	127	378	195	90
125	10 16	180	122	308	210	18	8	254	19	134	140	403	195	90
150	10 16	203	145	354	240	22	8	280	19	134	140	459	276	90
200	10 16	229	171	405	295	22	8 12	343	21	146	152	510	276	90