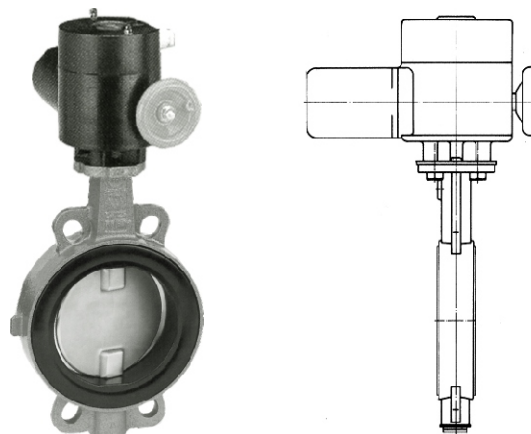


BUTTERFLY VALVE WITH ELECTRICAL ACTUATOR

**AMONG FLANGES
FACE TO FACE ACC TO
DIN 3202 - F 1**

| | |
|--------------|------------------|
| DN | 50 - 300 |
| PN | 6, 10 bar |
| T max | 130°C |



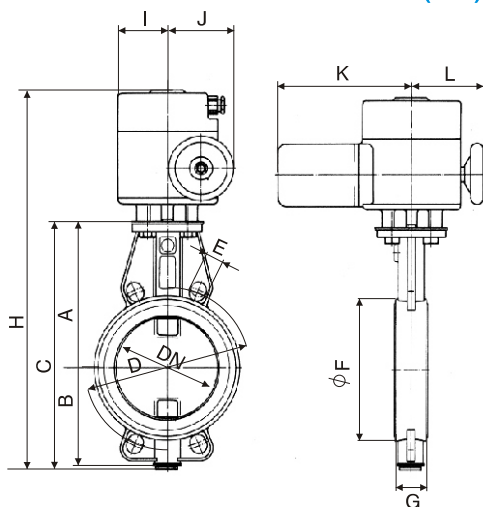
Application:

As a closing valve industrial pipe systems transporting water, mineral oils, non aggressive and slight aggressive fluids.

Materials:

| parts | acc to DIN | Ws. № |
|---------|------------------------------------|--------|
| Body | GG 25 | 0.6025 |
| Mandrel | X20Ch13 | 1.4021 |
| Disc | AISI - 316 | 1.4408 |
| | | 1.4571 |
| Seat | GG 25 nickel plated EPDM NBR | |

Size (mm):



n= number of holes

| DN | PN | A | B | C | D | E | n | F | G | H | I | J | DS | K | WS | L |
|-----|----|-----|-----|-----|-----|----|----|-----|----|-----|----|-----|-----|-----|-----|---|
| 50 | 6 | 126 | 79 | 211 | 110 | 14 | 4 | 95 | 35 | 369 | 62 | 82 | 171 | 171 | 110 | |
| | 10 | | | | 125 | 18 | 4 | | | | | | | | | |
| 65 | 6 | 135 | 88 | 228 | 130 | 14 | 4 | 115 | 35 | 386 | 62 | 82 | 171 | 171 | 110 | |
| | 10 | | | | 145 | 18 | 4 | | | | | | | | | |
| 80 | 6 | 157 | 99 | 261 | 150 | 18 | 4 | 131 | 35 | 419 | 62 | 82 | 171 | 171 | 110 | |
| | 10 | | | | 160 | 18 | 8 | | | | | | | | | |
| 100 | 6 | 168 | 110 | 283 | 170 | 18 | 4 | 149 | 35 | 441 | 62 | 82 | 171 | 171 | 110 | |
| | 10 | | | | 180 | 18 | 8 | | | | | | | | | |
| 125 | 6 | 180 | 122 | 308 | 200 | 18 | 8 | 181 | 40 | 466 | 62 | 82 | 171 | 171 | 110 | |
| | 10 | | | | 210 | 18 | 8 | | | | | | | | | |
| 150 | 6 | 203 | 145 | 354 | 225 | 18 | 8 | 203 | 40 | 512 | 62 | 82 | 171 | 171 | 110 | |
| | 10 | | | | 240 | 22 | 8 | | | | | | | | | |
| 200 | 6 | 229 | 171 | 405 | 280 | 18 | 8 | 253 | 50 | 588 | 74 | 121 | 206 | 246 | 131 | |
| | 10 | | | | 295 | 22 | 8 | | | | | | | | | |
| 250 | 6 | 266 | 206 | 479 | 335 | 18 | 12 | 314 | 68 | 662 | 74 | 121 | 206 | 246 | 131 | |
| | 10 | | | | 350 | 22 | 12 | | | | | | | | | |
| 300 | 6 | 293 | 231 | 531 | 395 | 22 | 12 | 360 | 65 | 714 | 74 | 121 | 206 | 246 | 131 | |
| | 10 | | | | 400 | 22 | 12 | | | | | | | | | |