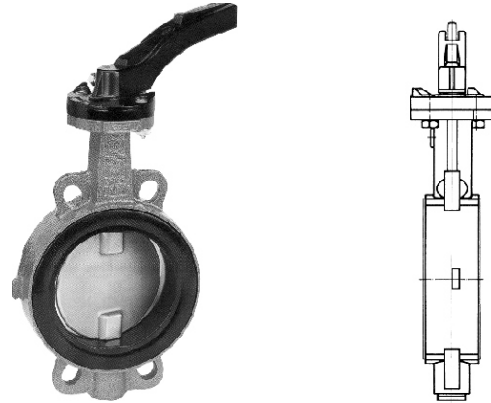


BUTTERFLY VALVE

**AMONG FLANGES
FACE TO FACE ACC TO
DIN 3202 - F 1**

DN	20 - 200
PN	6 - 16 bar
T max	130°C



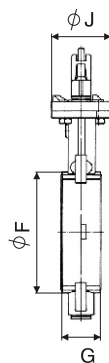
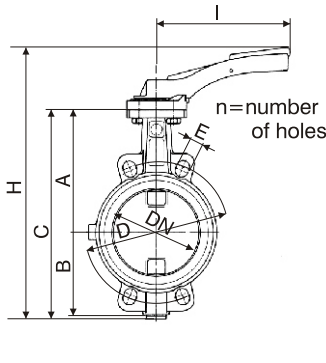
Application:

As a closing valve in industrial pipe systems transporting water, mineral oils, non aggressive or slight aggressive fluids.

Materials:

parts	acc to DIN	Ws. №
Body	GG 25	0.6025
Mandrel	X20Ch13	1.4021
Disc	AISI - 316	1.4408
		1.4571
Seat	GG 25 nickel plated EPDM NBR	

Size (mm):



DN	PN	A	B	C	D	E	n	F	G	H	I	J
20	6,10 16	104	45	149	75	14	4	64	33	226	165	65
25	6,10 16	104	45	149	75 85	11 14	4	64	33	226	165	65
32	6,10 16	104	51	155	90 100	14 18	4	69	33	232	165	65
40	6,10 16	113	61	179	100 110	14 18	4	82	33	256	165	65
50	6,10 16	126	79	211	110 125	14 18	4	95	43	286	165	65
65	6,10 16	135	88	228	130 145	14 18	4	115	46	305	165	65
80	6,10 16	157	99	261	150 160	18 18	4 8	130	46	356	195	90
100	6,10 16	168	110	283	170 180	18 18	4 8	150	52	378	195	90
125	6,10 16	180	122	308	200 210	18 18	8	180	56	403	195	90
150	6,10 16	203	145	354	225 240	18 22	8	206	56	459	276	90
200	6,10 16	229	171	405	280,295 295	18,22 22	8 12	250	60	510	276	90