

# PRESSURE REDUCING VALVES

FACE TO FACE ACC TO  
DIN 3202 - F 1

DN	25 - 150
PN	16 bar
T max	200°C



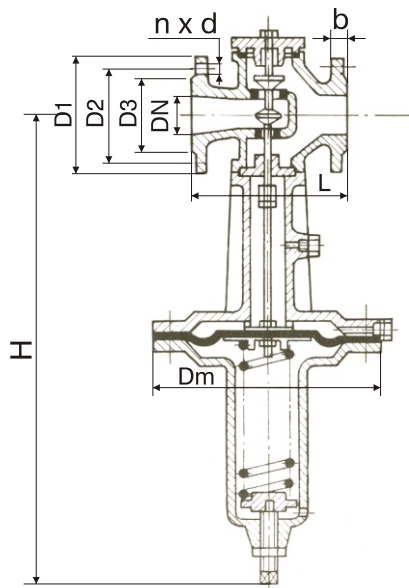
**Application:**

Mounting in the industrial pipe systems transporting water and steam under pressure 1,6 Mpa. To reduce the pressure in the system.

**Materials:**

parts	acc to DIN	Ws. №
Body, bonnet, spring flange, intermediate body	GG25	0.6025
Globe, mandrel	X20Cr13	1.4021
Sealing rings	CuZn38Pb2	2.0380
Sealing ring	X12CrNiTi18 10	1.4541
Membrane	rubber textile	

**Size (mm):**



DN	P	D <sub>1</sub>	D <sub>2</sub>	D <sub>3</sub>	D <sub>m</sub>	L	H	n x d	b	kg
25	1+6	115	85	68	220	160	540	4 x 14	16	25
40		150	110	88	220	200	650	4 x 18	18	38
50		165	125	102	220	230	650	4 x 18	20	40
65		185	145	122	220	290	665	4 x 18	20	44
80		200	160	138	220	310	680	8 x 18	22	48
100		220	180	158	320	350	850	8 x 18	24	52
125		250	210	188	320	400	830	8 x 18	26	88
150		285	240	212	320	480	850	8 x 22	28	105