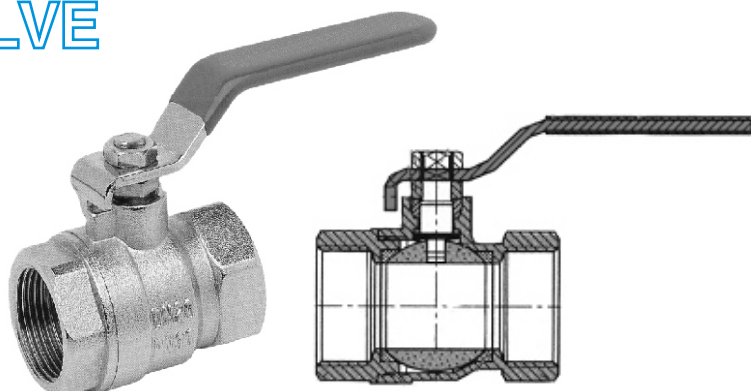


BRONZE BALL VALVE

**SCREWED ENDS
FACE TO FACE ACC TO
DIN 3202 - F 1**



DN	1/4", 1/2"	3/8" - 2 1/2"	3"	4"
PN	30 bar	25 bar	20 bar	16 bar
T max	100°C	100°C	100°C	100°C

Application:

For industrial pipe systems transporting water, steam, air or non aggressive fluids.

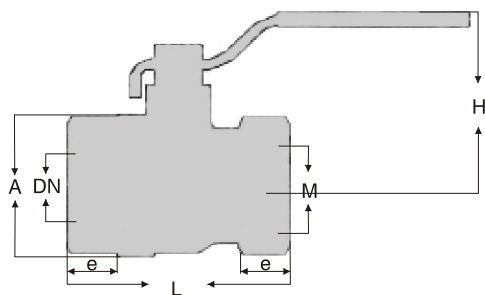
Materials:

parts	acc. DIN
Body	Bronze
Ball	Bronze
Handle	Chromium plated steel
Sealing	PTFE

Execution:



Size (mm):



M	DN	PN	L	H	A	e
1/4"	10	30	40	39	22	17
1/2"	10	30	40	39	22	20
3/8"	15	25	48	43	31	25
3/4"	20	25	56	52	37	31
1"	25	25	67	57	45	38
1 1/4"	32	25	80	72	56	48
1 1/2"	40	25	92	79	68	54
2"	50	25	107	88	84	67
2 1/2"	65	25	132	125	108	84
3"	80	20	152	135	129	97
4"	100	16	172	149	163	122