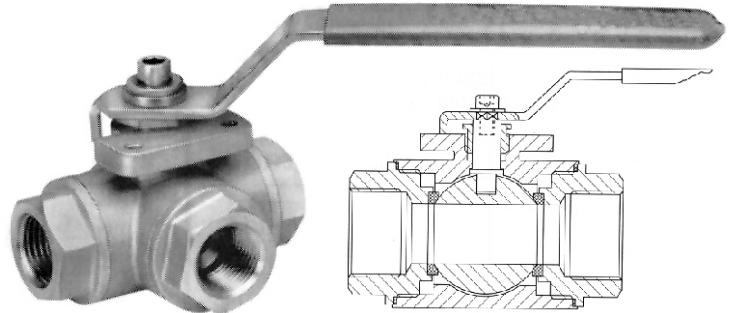


3 - WAY STAINLESS STEEL BALL VALVE

**SCREWED ENDS
FACE TO FACE ACC TO
DIN 3202 - F 1**

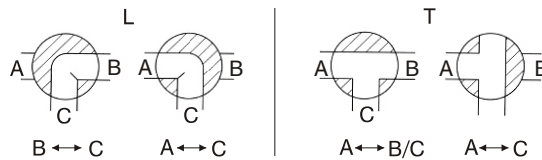
DN	1/4" - 2"
PN	56 bar
T max	200°C



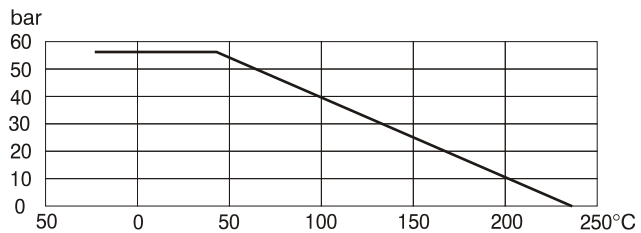
Application:

For pipe system transporting water, steam and aggressive fluids.

Положения на Входа:



T max / PN:



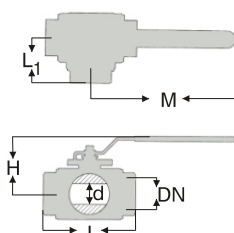
Materials:

parts	acc. DIN	Ws. №
Body	AISI - 316	1.4401
Ball	AISI - 316	1.4401
Clammer	AISI - 316	1.4401
Pivot	AISI - 316	1.4401
Gasket	PTFE	

Execution:



Size (mm):



DN	d	L	L ₁	H	M	kg
1/4"	9.5	79	39.5	52.0	155	0.8
3/8"	9.5	79	39.5	52.0	155	0.8
1/2"	12.0	79	39.5	52.0	155	0.8
3/4"	15.0	88	44.0	64.0	155	1.1
1"	20.0	108	54.0	73.5	185	1.7
1 1/4"	25.0	124	62.0	78.5	185	2.7
1 1/2"	32.0	135	67.5	89.5	230	3.9
2"	40.0	164	82.0	97.5	230	6.8