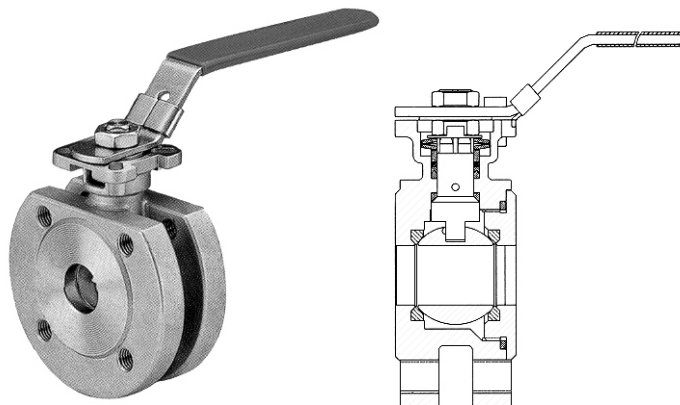


# STAINLESS STEEL BALL VALVE

**AMONG FLANGES  
FACE TO FACE ACC TO  
DIN 3202 - F 1**

<b>DN</b>	<b>15 - 50</b>	<b>65 - 100</b>
<b>PN</b>	<b>40 bar</b>	<b>16 bar</b>
<b>T max</b>	<b>180°C</b>	<b>180°C</b>



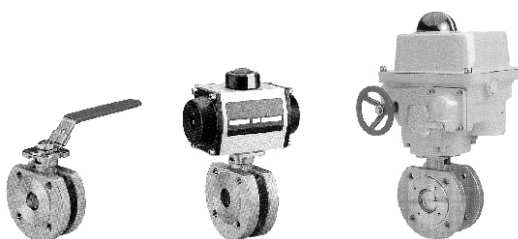
**Application:**

For pipe system transporting water, steam and aggressive fluids.

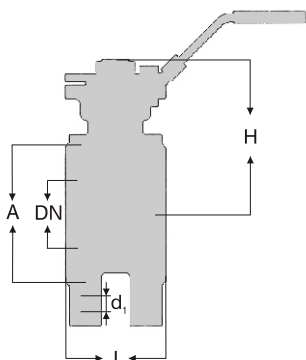
**Materials:**

parts	acc. DIN	Ws. №
Body	6CrNiMo18 10	1.4408
Ball	18H10TЛ	1.4541
Clammer	6CrNiMo18 10	1.4408
Spring body	18H9T	1.4308
Pivot	18H9T	1.4308
Gasket	PTFE	

**Execution:**



**Size (mm):**



DN	L	H	A	n x d <sub>1</sub>	kg
25	50	78	115	4 x 16	2.8
32	60	91	140	4 x 16	4.1
40	65	103	150	4 x 16	5.2
50	80	111	165	4 x 17	7.0
65	110	126	185	4 x 19	11.6
80	120	136	200	8 x 21	14.7
100	150	151	220	8 x 21	23.3