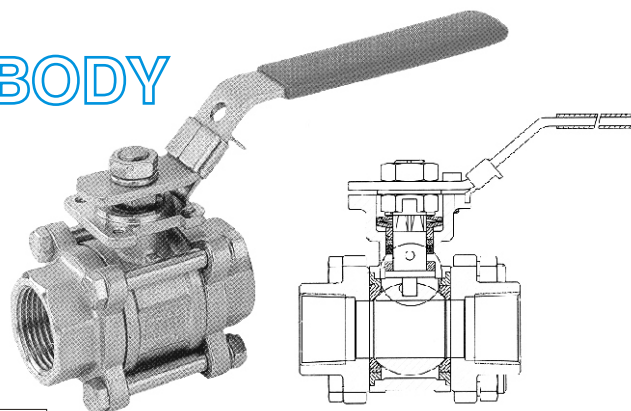


# STAINLESS STEEL BALL VALVE - 3 PCS BODY

**SCREWED ENDS  
FACE TO FACE ACC TO  
DIN 3202 - F 1**



<b>DN</b>	1/2" - 1"	1 1/4" - 2 1/2"	3", 4"
<b>PN</b>	40 bar	25 bar	16 bar
<b>T max</b>	180°C	180°C	180°C

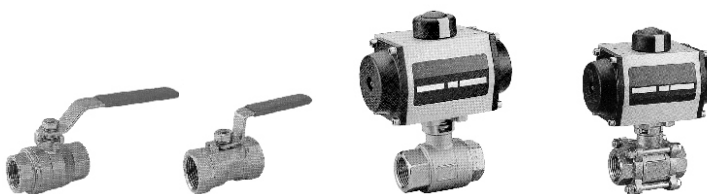
**Application:**

For pipe system transporting water, steam and aggressive fluids.

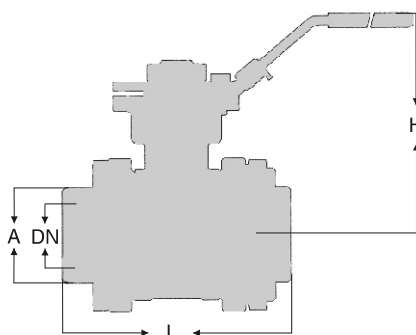
**Materials:**

parts	acc to DIN	Ws. №
Body	18H10TЛ	1.4541
Ball	18H10TЛ	1.4541
Bonnet	18H10TЛ	1.4541
Compressor	18H10TЛ	1.4541
Spring body	18H9T	1.4308
Pivot	18H9T	1.4308
Gasket	PTFE	

**Execution:**



**Size (mm):**



DN	PN	L	H	A	kg
1/2"	40	75	75	27.5	1.15
3/4"	40	85	90	35.0	1.45
1"	40	99	97	42.0	1.88
1 1/4"	25	113	102	50.0	2.49
1 1/2"	25	122	133	58.0	4.26
2"	25	143	137	70.0	6.21
2 1/2"	25	143	120	81.0	6.26
3"	16	250	190	102.0	
4"	16	250	190	120.0	

The is valve is offered with BSP ends.