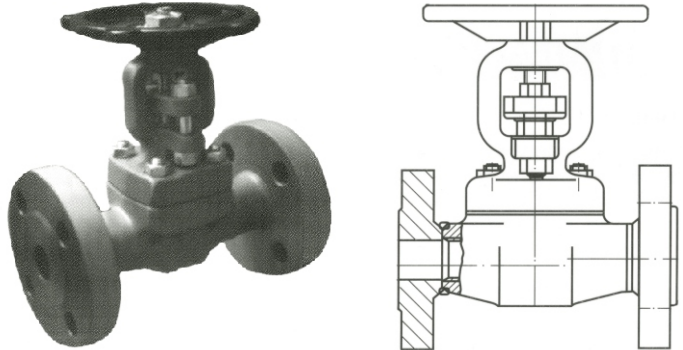


STEEL GATE VALVE

PLUNGED MANDREL TYPE B FLANGED ENDS

DN	10 - 40
PN	160 bar
T max	500°C



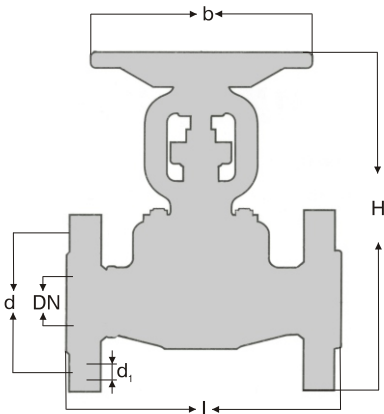
Application: As a stop valve in the pneumatic and hydraulic pipe system.

Materials: Body, bonnet, special gate flanges, plugs, gasket parts, rut.

Principle work: Slighting and stopping of the fluid is made by cotter globe - metal to metal.

Note: The valve is offer with flanges acc to BDS 3281 - 63.

Size (mm):



TYPE	DN	L	H	b	d	n x d ₁	kg
B 10	10	142	187	110	70	4 x 14	4
B 15	15	142	182	110	75	4 x 14	5
B 20	20	171	276	153	90	4 x 18	9
B 25	25	175	278	153	100	4 x 18	10
B 32	32	195	338	153	110	4 x 22	15
B 40	40	203	342	153	125	4 x 22	17