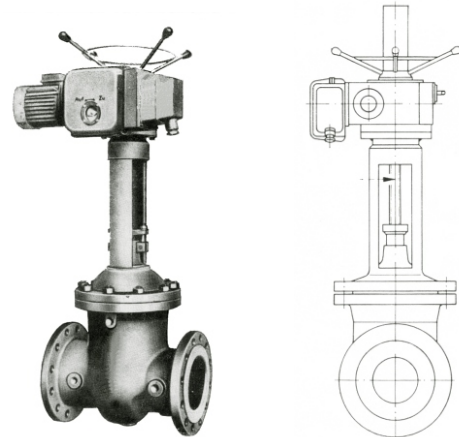


# STEEL GATE VALVE

## FACE TO FACE ACC TO DIN 3202 - F 5 ELECTRICAL ACTUATOR

DN	50 - 600
PN	40 bar
T max	350°C

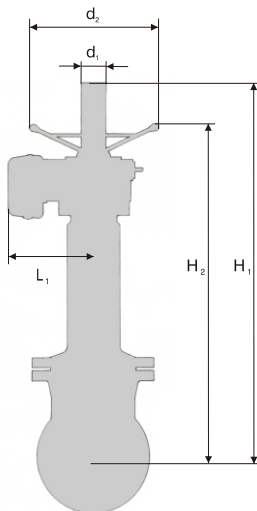


**Application:** As an on - off valves for part of pipe system mounted at industrial pipe systems for water, steam or non aggressive fluids.

Materials:	parts	acc to DIN	Ws. №
	Body, bonnet	GS C 25	1.0619
	Mandrel	X20Ch13	1.4021
	Sealing rings		
	- body	X20Ch13	1.4021
	- cotter	12X18H10T	1.4021
	Connecting body	GS C 25	1.0619

**El. actuator:** power 220 / 380 V; IP 54

**Note:** All parameters of the el. actuator can be offered as per inquire.



**Size (mm):**

DN	d <sub>1</sub>	d <sub>2</sub>	H <sub>1</sub>	H <sub>2</sub>	L <sub>1</sub>
50	300			555	265
65	300			585	265
80	300			665	265
100	300			720	265
125	300			815	265
150	420	36	930	915	290
200	600	50	1195	1215	320
250	600	50	1390	1360	320
300	430		1680	1620	370
400	600	75	2145	1900	405
500	430	75	2565	2370	890
600	600	110	2965	2805	1245