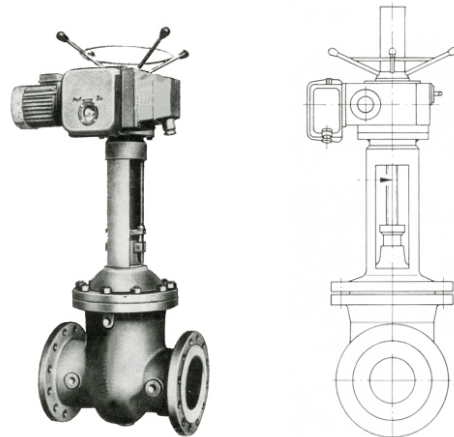


STEEL GATE VALVE

FACE TO FACE ACC TO DIN 3202 - F 5 ELECTRICAL ACTUATOR

DN	65 - 600
PN	25 bar
T max	350°C

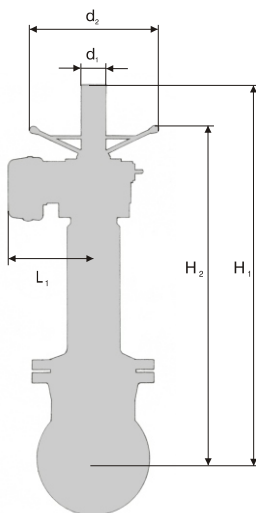


Application: As an on - off valves for part of pipe system mounted at industrial pipe systems for water, steam or non aggressive fluids.

Materials:	parts	acc to DIN	Ws. №
	Body, bonnet	GS C 25	1.0619
	Mandrel	X20Ch13	1.4021
	Sealing rings		
	- body	X20Ch13	1.4021
	- cotter	12X18H10T	1.4021
	Connecting body	GS C 25	1.0619

El. actuator: Power 220 / 380 V; IP 54

Note: All parameters of the el. actuator can be offered as per inquire.



Size (mm):

DN	d ₁	d ₂	H ₁	H ₂	L ₁
65	300			585	265
80	300			665	265
100	300			720	265
125	300			815	265
150	420	36	910	895	290
200	420	36	1110	1055	290
250	600	50	1370	1340	320
300	600	50	1535	1475	320
400	600	75	2010	1825	405
500	600	75	2460	2125	405
600	430	75	2845	2520	890