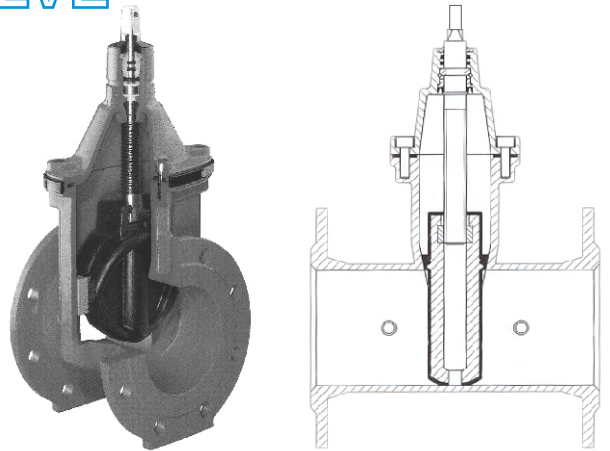


SOFT WEDGE GATE VALVE

**RUBBER COTTER
FACE TO FACE ACC TO DIN 3202 - F 5**

DN	50 - 500
PN	10, 16 bar
T max	100°C

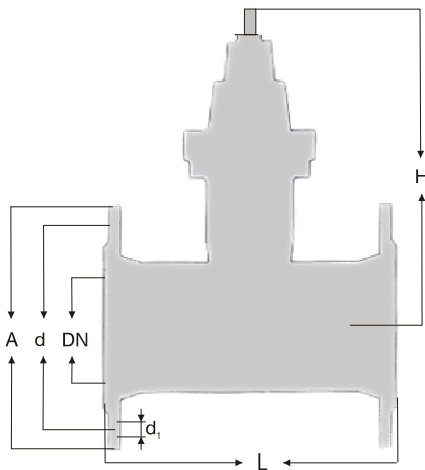


Application: As a closing valves in pipe systems for drinking water.

Materials:	parts	acc to DIN	Ws. №
	Body and bonnet	GGG 40	0.7040
	Cotter	GGG 40	0.7040
	Mandrel	X20Ch13	1.4021
	Cover of cotter	EPDM	
	Seal packing	2 x NBR O- rings	

Note: Body and bonnet are covered with epoxy powder coating.

Size (mm):



DN	PN	L	H	A	d	n x d ₁	Kg
50	¹⁰ / ₁₆	250	260	165	125	4 x 19	12
65	¹⁰ / ₁₆	270	328	185	145	4 x 19	19
80	¹⁰ / ₁₆	280	336	200	160	8 x 19	21
100	¹⁰ / ₁₆	300	373	220	180	8 x 19	28
125	¹⁰ / ₁₆	325	450	250	210	8 x 19	38
150	¹⁰ / ₁₆	350	462	285	240	8 x 23	46
200	¹⁰ / ₁₆	400	563	340	295	⁸ / ₁₂ x 23	72
250	¹⁰ / ₁₆	450	670	400	³⁵⁰ / ₃₅₅	12 x ²³ / ₂₈	121
300	¹⁰ / ₁₆	500	753	455	⁴⁰⁰ / ₄₁₀	12 x ²³ / ₂₈	170
350	¹⁰ / ₁₆	550	838	520	⁴⁶⁰ / ₄₇₀	16 x ²³ / ₂₈	---
400	¹⁰ / ₁₆	600	974	580	⁵¹⁵ / ₅₂₅	16 x ²⁸ / ₃₁	300
450	¹⁰ / ₁₆	650	974	640	⁵⁶⁵ / ₅₈₅	20 x ²⁸ / ₃₁	332
500	¹⁰ / ₁₆	700	974	715	⁶²⁰ / ₆₅₀	20 x ²⁸ / ₃₄	371