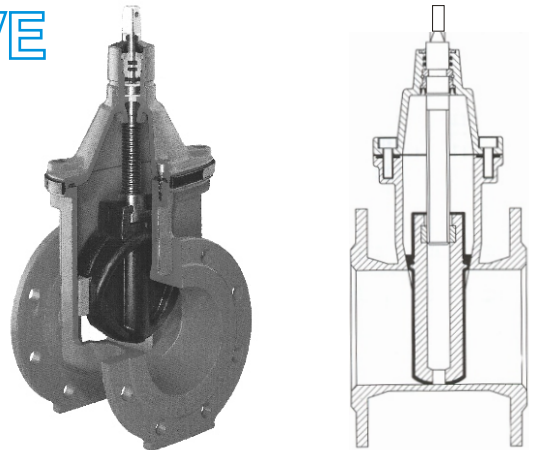


SOFT WEDGE GATE VALVE

**RUBBERED COTTER
FACE TO FACE ACC TO DIN 3202 - F 4**

DN	50 - 400
PN	10, 16 bar
T max	100°C

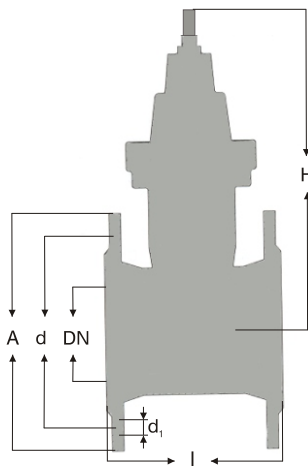


Application: As a closing valves in pipe systems for drinking water.

Materials:	parts	acc to DIN	Ws. №
	Body and bonnet	GGG 40	0.7040
	Cotter	GGG 40	0.7040
	Mandrel	X20Ch13	1.4021
	Cover of cotter	EPDM	
	Seal packing	2 x NBR O- rings	

Note: Body and bonnet are covered with PTFE.

Size (mm):



DN	PN	L	H	A	d	n x d ₁	Kg
50	¹⁰ / ₁₆	150	260	165	125	4 x 19	11
65	¹⁰ / ₁₆	170	328	185	145	4 x 19	17
80	¹⁰ / ₁₆	180	336	200	160	8 x 19	19
100	¹⁰ / ₁₆	190	373	220	180	8 x 19	25
125	¹⁰ / ₁₆	200	450	250	210	8 x 19	35
150	¹⁰ / ₁₆	210	462	285	240	8 x 23	40
200	¹⁰ / ₁₆	230	563	340	295	⁸ / ₁₂ x 23	64
250	¹⁰ / ₁₆	250	670	400	³⁵⁰ / ₃₅₅	12 x ²³ / ₂₈	100
300	¹⁰ / ₁₆	270	753	455	⁴⁰⁰ / ₄₁₀	12 x ²³ / ₂₈	147
350	¹⁰ / ₁₆	290	838	520	⁴⁶⁰ / ₄₇₀	16 x ²³ / ₂₈	205
400	¹⁰ / ₁₆	310	974	580	⁵¹⁵ / ₅₂₅	16 x ²⁸ / ₃₁	261